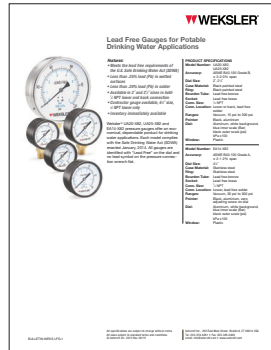
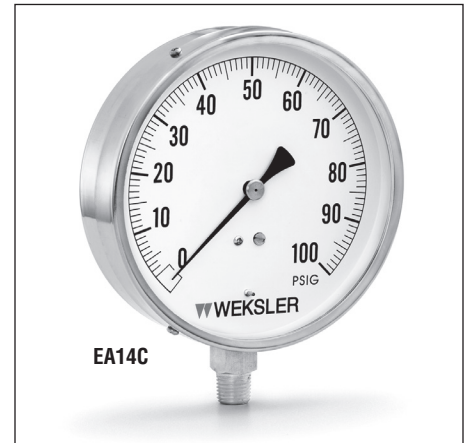


STANDARD FEATURES

- 4 1/2" diameter
- Corrosion Resistant Stainless Steel Case and Ring, Plastic Lens.
- Zero adjusting screw.
- Soft soldered phosphor bronze tube with brass socket. Suitable for steam, water, air, oil, gas or any medium not corrosive to copper alloys.
- Bronze/brass movement.
- Easy to read dial; white background with bold black numerals and graduations, 270° arc.
- 1/4" NPT bottom connection only.



CLICK HERE FOR LINK TO LEAD FREE GAUGE DATA SHEET



PRESSURE RANGES

CATALOG NO	DIAL RANGES	FIGURE INTERVALS	SMALLEST GRADUATION
EA14A	0- 30 psi	5 psi	1/2 psi
EA14B	0- 60 psi	10 psi	1 psi
EA14C	0-100 psi	10 psi	1 psi
EA14D	0-160 psi	20 psi	2 psi
EA14E	0-200 psi	20 psi	2 psi
EA14F	0-300 psi	50 psi	5 psi
EA14G	0-500 psi	50 psi	5 psi

VACUUM RANGES

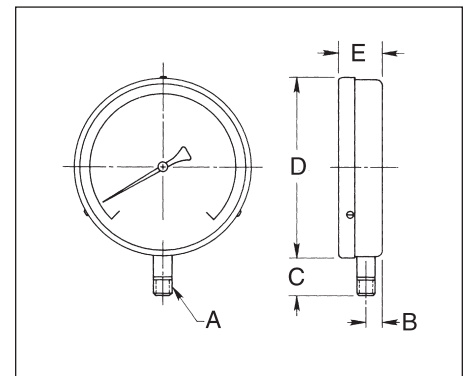
EA14H	30"-0 Hg. Vac	5 in.	1/2 in.
-------	---------------	-------	---------

COMPOUND RANGES

EA14J	30"-0- 30 psi	10" & 5 psi	1" & 1 psi
EA14K	30"-0-100 psi	15" & 10 psi	5" & 1 psi
EA14L	30"-0-150 psi	30" & 25 psi	5" & 5 psi

TO ORDER: SPECIFY 5 DIGIT "CATALOG NUMBER" FROM ABOVE TABLE.

DIMENSIONS



GAUGE DIMENSIONS – EA14C

A	B	C	D	E
1/4 NPT	7/16	1 1/16	4 15/16	1 3/16
	(11)	(27)	(126)	(30)