

LIGHT-POWERED ADJUSTABLE ANGLE DIGITAL THERMOMETER

The Weksler™ light-powered industrial thermometer offers an environmentally friendly alternative to mercury-filled industrial thermometers. The light-powered industrial thermometer can help reduce inventory requirements with its switchable °F and °C feature, which offers a wide variety of ranges in a single unit (–40/300°F and –40°/150°C). The high impact ABS case can be adjusted for viewing from any angle. Stem lengths of 3½" and 6" are available and are interchangeable with standard glass column industrial thermometers. The light-powered industrial thermometer features a ½" LCD digital display.

SPECIFICATIONS

Switchable Range: –40/300°F – –40/150°C

Accuracy: 1% of reading or 1° whichever is greater

Display: ½" LCD digits

Resolution: ¼° between –19.9/199.9°F or 28/93°C

Update Rate: 10 seconds

Recalibration: Internal potentiometer

Sensor: Glass passivator thermistor

Lux Rating: 10 Lux

Ambient Oper. Temp. –30°F – 140°F

Ambient Temp. Error: Zero

Humidity Rating: 100%

ACCESSORIES

Thermowells For Adjustable Angle Thermometers:
See page 5

PHYSICAL CHARACTERISTICS

Case:

High-impact ABS

Stem Assemblies, Industrial Glass:

Full conformance with Fed. Spec. GGT-321D

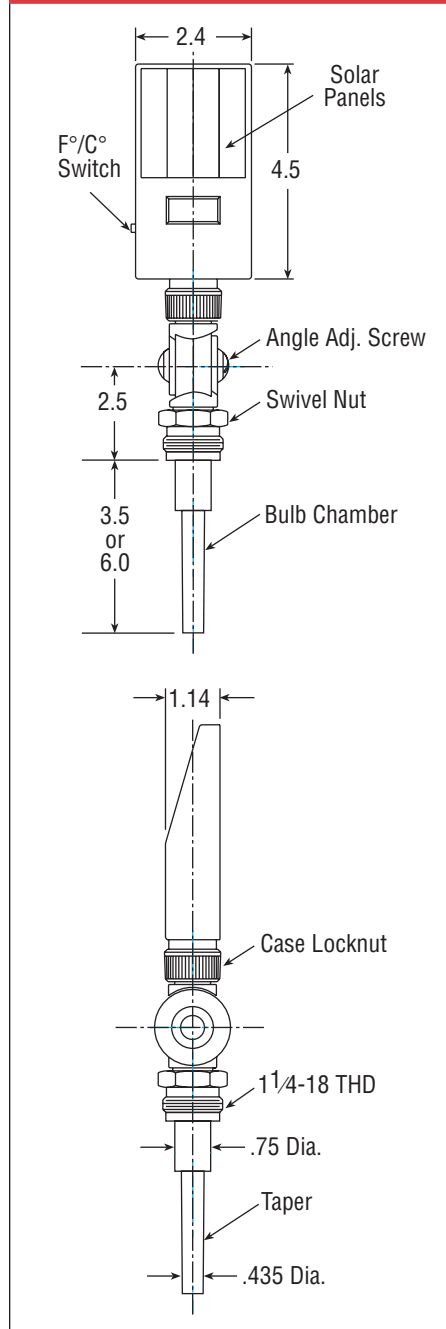
Stem Lengths:

3½" and 6"

Standard Connection:

1¼"-18 NEF Swivel Nut

Weight: 10 oz.

DIMENSIONS**HOW TO ORDER**

1. Product Type: **AD** = Adjust Angle Digital Thermometer
2. Stem Length: **35** = 3½"; **60** = 6"
3. Connection Location: **A** = Adjust Angle
4. Range: **FC** = Switchable Range –40/300°F or –40/150°C