

STANDARD FEATURES

- Available in 40mm, 50mm, 63mm and 100mm sizes
- Stainless steel case and ring with plastic window
- 1/8 NPT back connection available in 40mm size; 1/4 NPT lower and back connection available in 50mm and 63mm sizes; 1/4 NPT lower connection available in 100mm size
- Dual scale dials with bar/kPa in blue (inner scale); psi in black (outer scale); on white background
- Panel mount kits available

CATALOG NUMBERS

| Dial Size | 40mm | 50mm | | 63mm | | 100mm |
|---|------------|------------|------------|------------|------------|------------|
| Connection Location | Back | Back | Bottom | Back | Bottom | Bottom |
| Connection NPT | 1/8 | 1/4 | 1/4 | 1/4 | 1/4 | 1/4 |
| Range (psi/bar/kPa) | | | | | | |
| 30"70/ vac. and -1/0 bar(-100/0 kPa) | BY40YVC8CW | — | — | BY42YVC4CW | BY42YVC4LW | BY45YVC4LW |
| 30"70/30 psi and -1/0/2 bar (-100/0/200 kPa) | — | — | — | BY42YCB4CW | BY42YCB4LW | — |
| 30"70/60 psi and -1/0/4 bar (-100/0/400 kPa) | — | — | — | BY42YCC4CW | BY42YCC4LW | BY45YCC4LW |
| 30"70/150 psi and -1/0/10 bar (-100/0/1000 kPa) | — | — | — | BY42YCE4CW | BY42YCE4LW | — |
| 0-15 psi and 0/1 bar (100 kPa) | — | — | — | BY42YPC4CW | BY42YPC4LW | — |
| 0-30 psi and 0/2 bar (200 kPa) | BY40YPD8CW | BY41YPD4CW | — | BY42YPD4CW | BY42YPD4LW | BY45YPD4LW |
| 0-60 psi and 0/4 bar (400 kPa) | BY40YPE8CW | BY41YPE4CW | — | BY42YPE4CW | BY42YPE4LW | BY45YPE4LW |
| 0-100 psi and 0/7 bar (700 kPa) | — | BY41YPF4CW | BY41YPF4LW | BY42YPF4CW | BY42YPF4LW | BY45YPF4LW |
| 0-160 psi and 0/11 bar (1100 kPa) | BY40YPG8CW | BY41YPG4CW | BY41YPG4LW | BY42YPG4CW | BY42YPG4LW | BY45YPG4LW |
| 0-200 psi and 0/14 bar (1400 kPa) | — | — | — | BY42YPH4CW | BY42YPH4LW | — |
| 0-300 psi and 0/21 bar (2100 kPa) | BY40YPJ8CW | BY41YPJ4CW | — | BY42YPJ4CW | BY42YPJ4LW | BY45YPJ4LW |
| 0-600 psi and 0/42 bar (4200 kPa) | — | — | — | BY42YPM4CW | BY42YPM4LW | — |
| 0-1000 psi and 0/70 bar (7000 kPa) | — | — | BY41YPP4LW | BY42YPP4CW | BY42YPP4LW | BY45YPP4LW |
| 0-2000 psi and 0/140 bar (14,000 kPa) | — | — | — | BY42YPS4CW | BY42YPS4LW | — |
| 0-3000 psi and 0/210 bar (21,000 kPa) | — | — | — | BY42YPT4CW | BY42YPT4LW | BY45YPT4LW |
| 0-5000 psi and 0/350 bar (35,000 kPa) | — | — | — | BY42YPV4CW | BY42YPV4LW | BY45YPV4LW |
| 0/10,000 psi and 0/700 bar (70,000 kPa) | — | — | — | BY42YPY4CW | BY42YPY4LW | BY45YPY4LW |

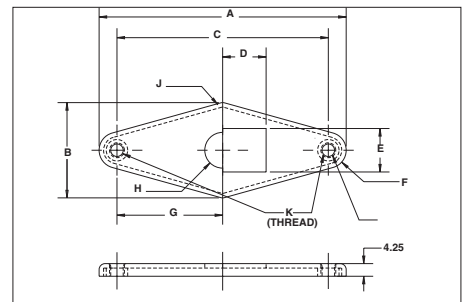
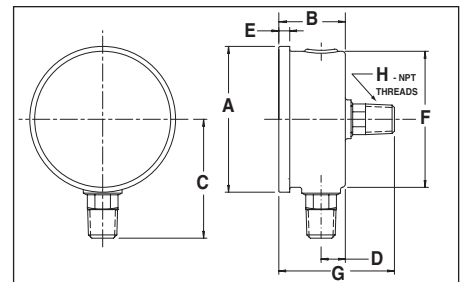
To order: specify 10-digit "catalog number" from above table. For panel mount gauges (back connection only) add "-UC" to 10-digit catalog number.

GAUGE DIMENSIONS BY40Y, BY41Y, BY42Y, BY45Y

| Lower Connection Gauge Size/Type | | A | B | C | D-1/4 | E | F | |
|----------------------------------|-------|------|------|------|-------|------|------|--|
| 50 mm | BY41Y | Inch | 2.21 | 1.11 | 1.86 | 0.37 | 0.19 | |
| | | mm | 56 | 28 | 47 | 9 | 5 | |
| 63 mm | BY42Y | Inch | 2.62 | 1.13 | 2.08 | 0.39 | 0.22 | |
| | | mm | 66 | 29 | 53 | 10 | 5 | |
| 100 mm | BY45Y | Inch | 4.29 | 1.42 | 3.14 | 0.46 | 0.29 | |
| | | mm | 109 | 36 | 80 | 12 | 7 | |
| Back Connection Gauge Size/Type | | A | B | F | G | H | | |
| 40 mm | BY40Y | Inch | 1.78 | 1.00 | 1.61 | 1.62 | 1/8 | |
| | | mm | 45 | 25 | 41 | 41 | | |
| 50 mm | BY41Y | Inch | 2.21 | 1.11 | 2.02 | 2.05 | 1/4 | |
| | | mm | 56 | 28 | 51 | 52 | | |
| 63 mm | BY42Y | Inch | 2.62 | 1.13 | 2.45 | 2.05 | 1/4 | |
| | | mm | 66 | 29 | 62 | 52 | | |

PANEL MOUNT ASSEMBLY DIMENSIONS FOR 40mm, 50mm, 63mm GAUGES

| Part No. | A | B | C | D | E | F | G | H | J | K |
|------------|------|------|------|-----|------|------|------|------|------|------|
| 40mm Clamp | Inch | 2.36 | 1.02 | 189 | 0.45 | 0.44 | 0.94 | 0.94 | 0.20 | 0.10 |
| | mm | 60 | 26 | 48 | 11.6 | 11.3 | 24 | 24 | 5 | 2.50 |
| 50mm Clamp | Inch | 2.83 | 1.26 | 236 | 0.57 | 0.56 | 0.47 | 1.18 | 0.24 | 0.10 |
| | mm | 72 | 32 | 60 | 14.6 | 14.2 | 30 | 72 | 6 | 2.50 |
| 63mm Clamp | Inch | 3.27 | 1.26 | 280 | 0.57 | 0.56 | 0.47 | 1.40 | 0.24 | 0.10 |
| | mm | 83 | 32 | 71 | 14.6 | 14.2 | 12 | 35.5 | 6 | 2.50 |



PANEL MOUNT PART NUMBER

| ITEM - NO. |
|------------|
| U-clamp 40 |
| U-clamp 50 |
| U-clamp 63 |