

Adjust Angle Thermometer, Mercury Free, Standard Model A935AF5

STANDARD FEATURES

- Mercury Free.
- Molded Valox® – V-shaped black case for ranges up to and including 300°F
- Die cast black aluminum V-shaped case for ranges above 300°F.
- Glass front excludes dust and dirt.
- White aluminum scale with bold black graduations and figures.
- Mercury Free blue liquid in glass with magnifying lens for easy readability.
- Accuracy is $\pm 1\%$ of full scale.
- Easy adjustment permits case and stem to be rotated 360°.
- 3½", 6", 9" & 12" stems available.
- 1¼"-18" NEF swivel nut.

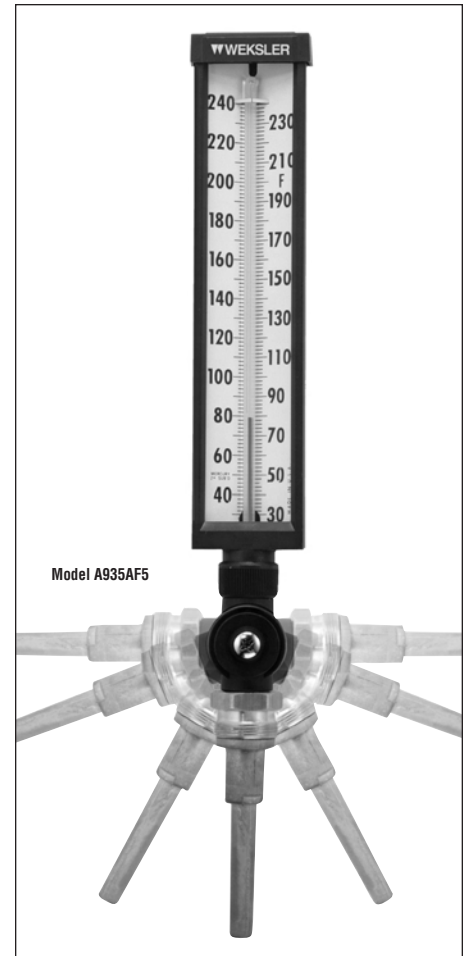
OPTIONS

- Plastic window available for both 7" and 9" scale.
- Aluminum case available for low ranges (300°F and below).
- Lower connect (straight form) and back connect (back angle form) available.

RANGES

	MINOR GRADS	RANGE CODE
FAHRENHEIT		
-40/110F	2°	F1
0/120F	1°	F2
0/160F	2°	F3
30/180F	2°	F4
30/240F	2°	F5
30/300F	5°	F6
50/400F ⁽¹⁾	5°	F7
50/550F ⁽¹⁾	5°	F8
CELSIUS		
-20/45C	1°	C1
0/50C	1°	C2
0/100C	1°	C3
0/160C ⁽¹⁾	2°	C4
0/200C ⁽¹⁾	2°	C5
0/300C ⁽¹⁾	5°	C6
DUAL SCALE		
-40/110F & -40/43C	2°	D1
0/120F & -15/48C	1°	D2
0/160F & -15/70C	2°	D3
30/180F & 0/82C	2°	D4
30/240F & 0/115C	2°	D5
30/300F & 0/150C	5°	D6
50/400F & 10/200C ⁽¹⁾	5°	D7
50/550F & 10/290C ⁽¹⁾	5°	D8

(1) Must be supplied with optional aluminum case.



HOW TO ORDER

1. Product Type: **A**
2. Scale Size: 7 = 7" Scale; 9 = 9" Scale **9**
3. Stem Length: 35 = 3½"; 60 = 6"; 90 = 9"; 12 = 12" **35**
4. Connection Location: A = Adjust Angle **A**
5. Range (see table) **F5**
6. Options: AL = Aluminum Case*; PD = Plastic Window **— AL**

*Aluminum case is required for ranges over 300°F

STANDARD FEATURES

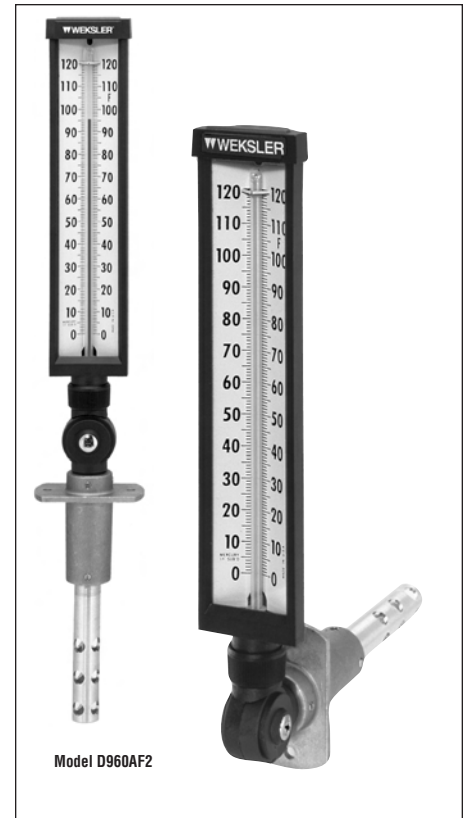
- Mercury Free.
- Molded Valox® – V-shaped black case supplied as standard.
- Glass front excludes dust and dirt.
- White aluminum scale with bold black graduations and flanges.
- Mercury Free blue liquid in glass with magnifying lens for easy readability.
- Accuracy is $\pm 1\%$ of full scale.
- Easy adjustment permits case and stem to be rotated 360°.
- 3½", 6", 9" & 12" stems available.
- Protective slotted bulb guard, ¾" diameter aluminum stem and 3" diameter union flange

OPTIONS

- Plastic window available for both 7" and 9" scale.
- Lagging extension.
- Aluminum case.

RANGES

MINOR FAHRENHEIT	RANGE GRADS	CODE
-40/110F	2°	F1
0/120F	1°	F2
0/160F	2°	F3
30/180F	2°	F4
30/240F	2°	F5
CELSIUS		
-20/45C	1°	C1
0/50C	1°	C2
0/100C	1°	C3
DUAL SCALE		
-40/110F & -40/43C	2°	D1
0/120F & -15/48C	1°	D2
0/160F & -15/70C	2°	D3
30/180F & 0/82C	2°	D4
30/240F & 0/115C	2°	D5


HOW TO ORDER

- D** **9** **60** **A** **F2** — **AL**
1. Product Type:
A = Air Duct Thermometer
 2. Scale Size: 7 = 7" Scale; 9 = 9" Scale
 3. Stem Length: 35 = 3½"; 60 = 6"; 90 = 9"; 12 = 12"
 4. Connection Location: A = Adjust Angle
 5. Range (see table)
 6. Options: PD = Plastic Window

LIGHT-POWERED ADJUSTABLE ANGLE DIGITAL THERMOMETER

The Weksler™ light-powered industrial thermometer offers an environmentally friendly alternative to mercury-filled industrial thermometers. The light-powered industrial thermometer can help reduce inventory requirements with its switchable °F and °C feature, which offers a wide variety of ranges in a single unit (–40/300°F and –40°/150°C). The high impact ABS case can be adjusted for viewing from any angle. Stem lengths of 3½" and 6" are available and are interchangeable with standard glass column industrial thermometers. The light-powered industrial thermometer features a ½" LCD digital display.

SPECIFICATIONS

Switchable Range:
–40/300°F – –40/150°C

Accuracy:
1% of reading or 1° whichever is greater

Display:
½" LCD digits

Resolution:
1/10° between –19.9/199.9°F or 28/93°C

Update Rate:
10 seconds

Recalibration:
Internal potentiometer

Sensor:
Glass passivator thermistor

ACCESSORIES

Thermowells For Adjustable
Angle Thermometers:
See page 5

PHYSICAL CHARACTERISTICS

Case:
High-impact ABS

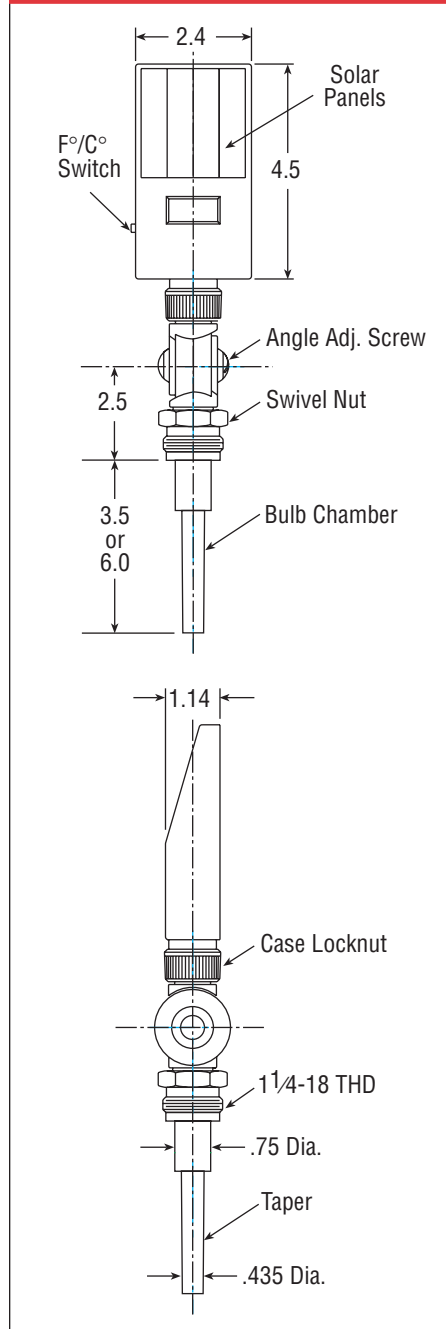
Stem Assemblies, Industrial Glass:
Full conformance with Fed. Spec. GGT-321D

Stem Lengths:
3½" and 6"

Standard Connection:
1¼"-18 NEF Swivel Nut

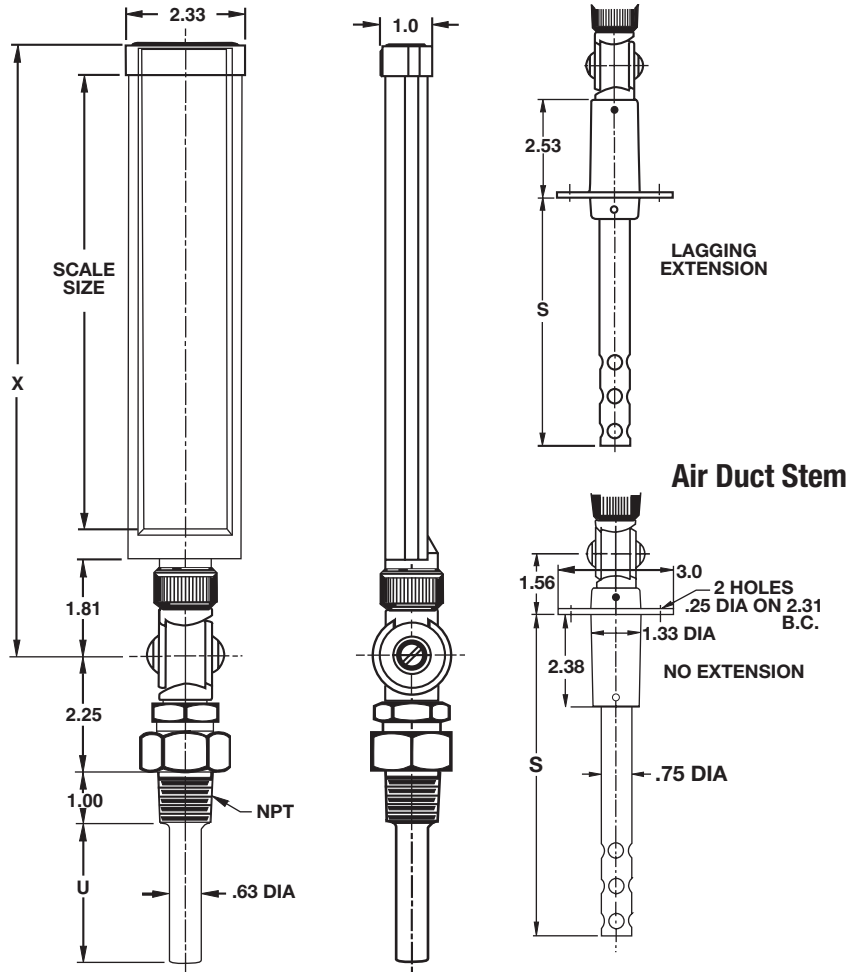
Weight: 10 oz.

DIMENSIONS

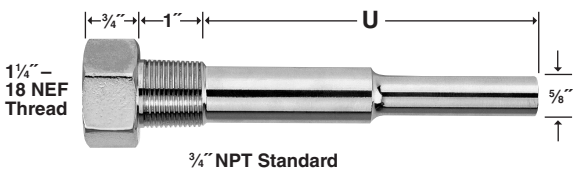


HOW TO ORDER

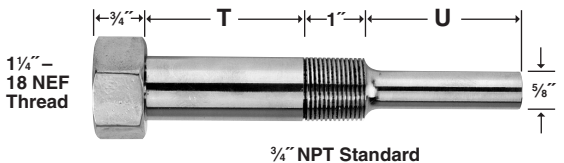
1. Product Type: **AD** = Adjust Angle Digital Thermometer
2. Stem Length: **35** = 3½"; **60** = 6"
3. Connection Location: **A** = Adjust Angle
4. Range: **FC** = Switchable Range –40/300°F or –40/150°C



THERMOWELLS FOR ADJUST ANGLE THERMOMETERS



THERMOMETER STEM LENGTH	"U" DIM.	3/4" NPT - CATALOG NUMBER			
		BRASS	STEEL	304 SS	316 SS
3 1/2"	2 1/2"	G1E3D2	G3E3D2	G6E3D2	G4E3D2
6"	5"	G1M3D2	G3M3D2	G6M3D2	G4M3D2
9"	8"	G1S3D2	G3S3D2	G6S3D2	G4S3D2
12"	11"	G1T3D2	G3T3D2	G6T3D2	G4T3D2



THERMOMETER STEM LENGTH	"T" DIM.	"U" DIM.	3/4" NPT - CATALOG NUMBER			
			BRASS	STEEL	304 SS	316 SS
3 1/2"	1	1 1/2"	G1E3D2B	G3E3D2B	G6E3D2B	G4E3D2B
6"	2 1/2"	2 1/2"	G1M3D2E	G3M3D2E	G6M3D2E	G4M3D2E
9"	2 1/2"	5 1/2"	G1S3D2E	G3S3D2E	G6S3D2E	G4S3D2E
12"	2 1/2"	8 1/2"	G1T3D2E	G3T3D2E	G6T3D2E	G4T3D2E

Navy/Marine Thermometer

STANDARD FEATURES

- Molded Valox® – V-shaped gray case.
- White aluminum scale with bold black graduations and flanges.
- 2" and 4" stems available.
- 3¼" overall length thermowell (optional) to be used with 2" stem.
- 5¼" overall length thermowell (optional) to be used with 4" stem.
- Red reading with magnifying lens for easy readability.

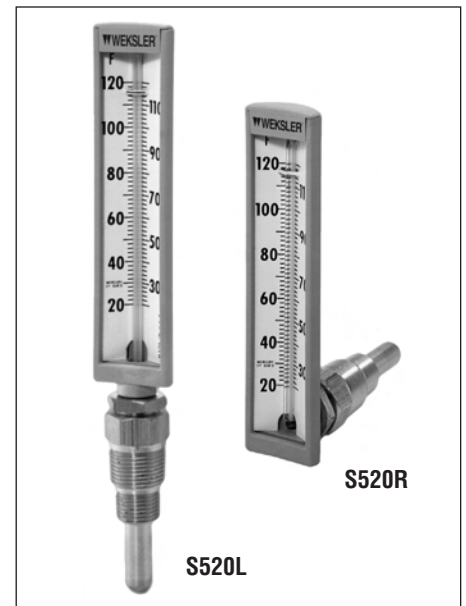
RANGES

DUAL SCALE	MINOR GRADS	RANGE CODE
-40/110F & -40/43C	2°/2°	D1
20/180F & -5/80C	2°/2°	D0
30/240F & 0/115C	2°/2°	D5
50/400F & 10/200C	5°/2°	D7

PART NUMBERS*

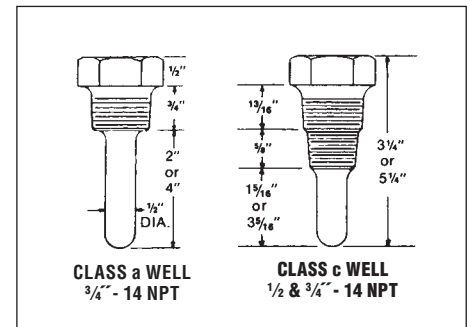
CONNECTION LOCATION	STEM LENGTHS	
	2"	4"
Lower	S520L	S540L
Back	S520R	S540R

*Include range code (above) at end of above # to complete the part number.



THERMOWELL DIMENSIONS – ¼-28" Female Thread (Internal)

WELL CLASS	STEM LENGTH OF THERMOMETER	OVERALL LENGTH OF WELL	CATALOG #	
			BRASS	304SS
a	2 inch	3¼"	N/A	W3G1
	4 inch	5¼"	N/A	W5G1
c	2 inch	3¼"	W3B3	W3G3
	4 inch	5¼"	W5B3	W5G3



Economy Thermometer

STANDARD FEATURES

- Molded Valox® – V-shaped gray case.
- Red reading spirit filled tube with magnifying lens for easy readability.
- 40/260F and 5/125C is standard range (2°F divisions and 1°C divisions)
- White aluminum scale with bold black graduations and figures.
- 2" stem supplied as standard.
- Supplied standard with removable ½ NPT brass well, 2" length (1.375" insertion).

PART NUMBERS

CONNECTION LOCATION	2" STEM
Lower	E520L
Back	E520R

