

## Gas Actuated Thermometers – Case Styles/Dimensions

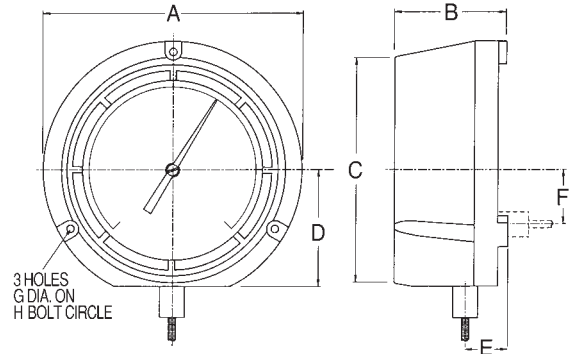
### SURFACE (WALL) OR DIRECT MOUNT TYPES



Snap-in glass retaining ring.  
Standard for 4½" remote.

STYLE	DIAL SIZE	MATERIAL
P	4½"	Phenolic

### SURFACE (WALL) OR DIRECT MOUNT TYPES



GAUGE SIZE	A	B	C	D	E	F	G	H
4½ INCH	5.83	2.56	5.08	2.62	1.00	.20	.24	5.39

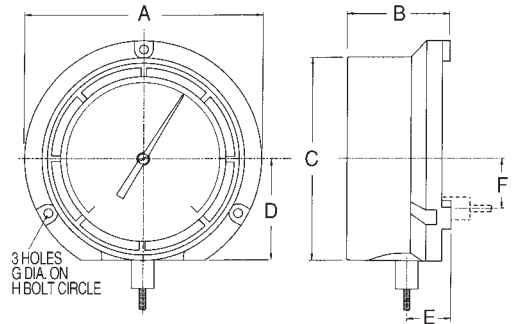
### SURFACE (WALL) MOUNT TYPES



Style "A" has bayonet type glass retaining ring.  
Extra cost option.

STYLE	DIAL SIZE	MATERIAL
A	4½"	Aluminum Black Textured Enamel Finish

### SURFACE (WALL) MOUNT TYPES



GAUGE SIZE	A	B	C	D	E	F	G	H
4½ INCH	5.81	2.69	5.00	2.50	1.12	.20	.22	5.38

### HINGED FRONT TYPE FOR FLUSH MOUNTING

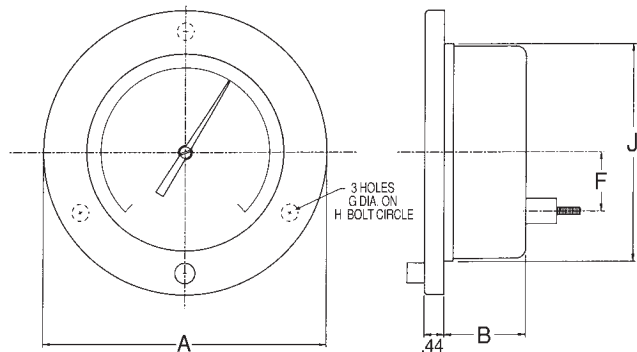


Molded plastic hinged front ring allows easy access to dial and pointer.  
Extra cost option.

NOTE: Only available with rear (back) connection.

STYLE	DIAL SIZE	MATERIAL
W	4½"	Aluminum Black Textured Enamel Finish

### HINGED FRONT TYPE FOR FLUSH MOUNTING



GAUGE SIZE	A	B	F	G	H	J
4½ INCH	6.31	1.63	1.35	.19	5.38	4.88

X-PANEL HOLE CUT-OUT DIAMETER

## Gas Actuated Thermometers – Case Styles/Dimensions

### SURFACE (WALL) MOUNT TYPES



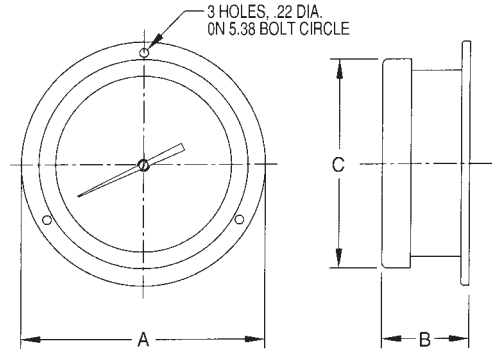
#### BAYONET TYPE GLASS RETAINING RING

4½" dial size remote mount thermometers.

Extra cost option.

STYLE	DIAL SIZE(S)	MATERIAL
X	4½"	Stainless Steel

### SURFACE (WALL) MOUNT TYPES



GAUGE SIZE	A	B	C	G	H
4½ INCH	5.90	2.10	5.05	.22	5.38

### HINGED FRONT TYPE FOR FLUSH MOUNTING



Front flanged case for semi-flush mounting.

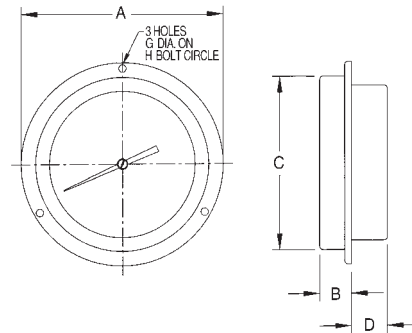
Bayonet type glass retaining ring.

Extra cost option.

NOTE: Only available with rear (back) connection.

STYLE	DIAL SIZE(S)	MATERIAL
V	4½"	Stainless Steel

### HINGED FRONT TYPE FOR FLUSH MOUNTING



GAUGE SIZE	A	B	C	D	G	H
4½ INCH	5.90	.94	5.05	1.04	.22	5.55

### DIRECT MOUNT TYPES (Flangeless Case)

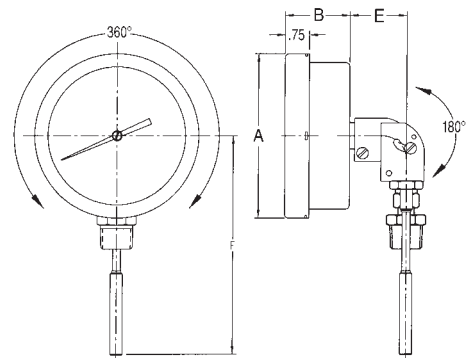


#### BAYONET TYPE GLASS RETAINING RING

Standard on all stainless steel adjust angle.

STYLE	DIAL SIZE(S)	MATERIAL
Y	4½"	Stainless Steel

### DIRECT MOUNT TYPES (Flangeless Case)



GAUGE SIZE	A	B	E	F
4½ INCH	5.04	2.00	1.75	6.81

X-PANEL HOLE CUT-OUT DIAMETER